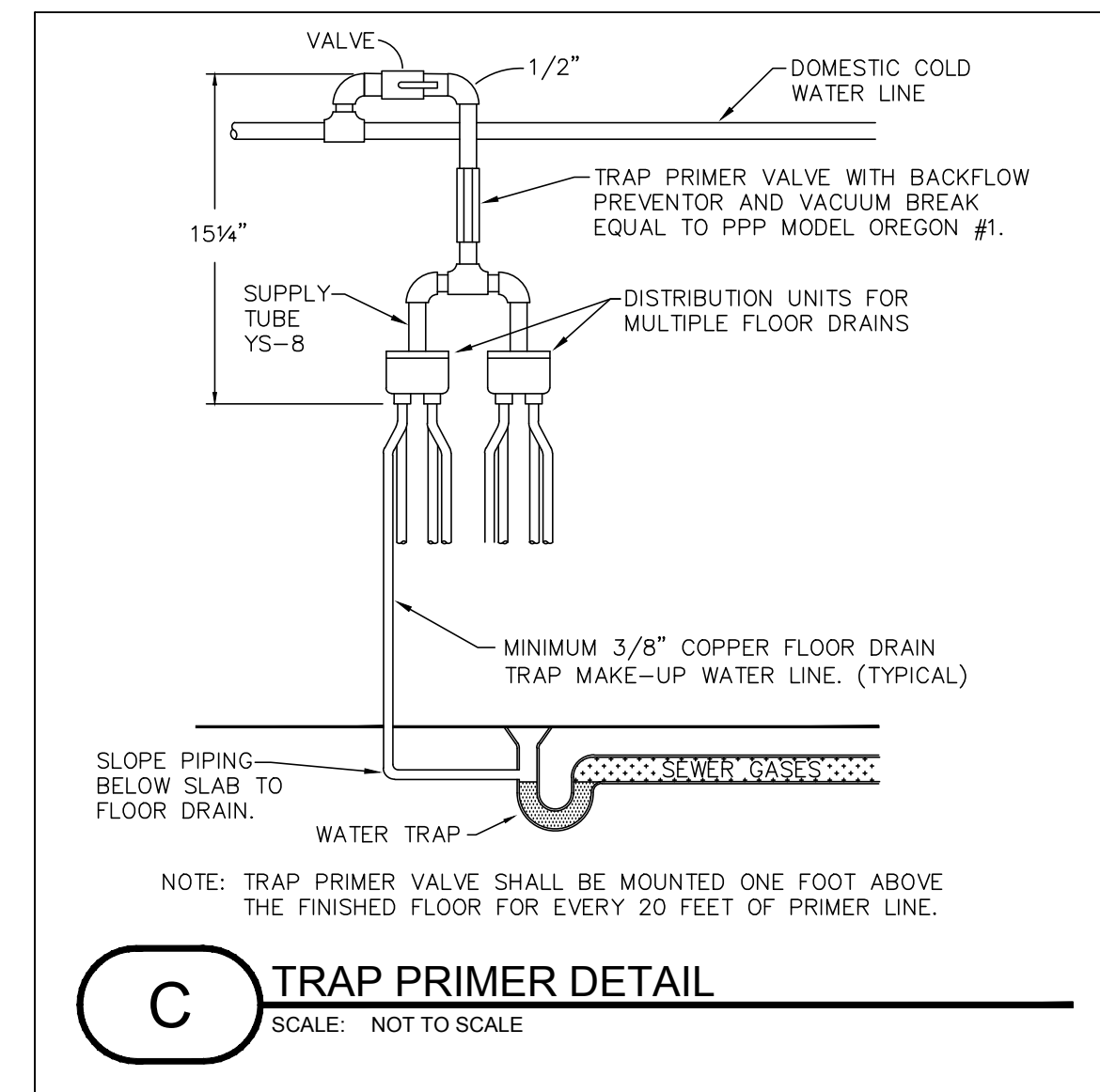
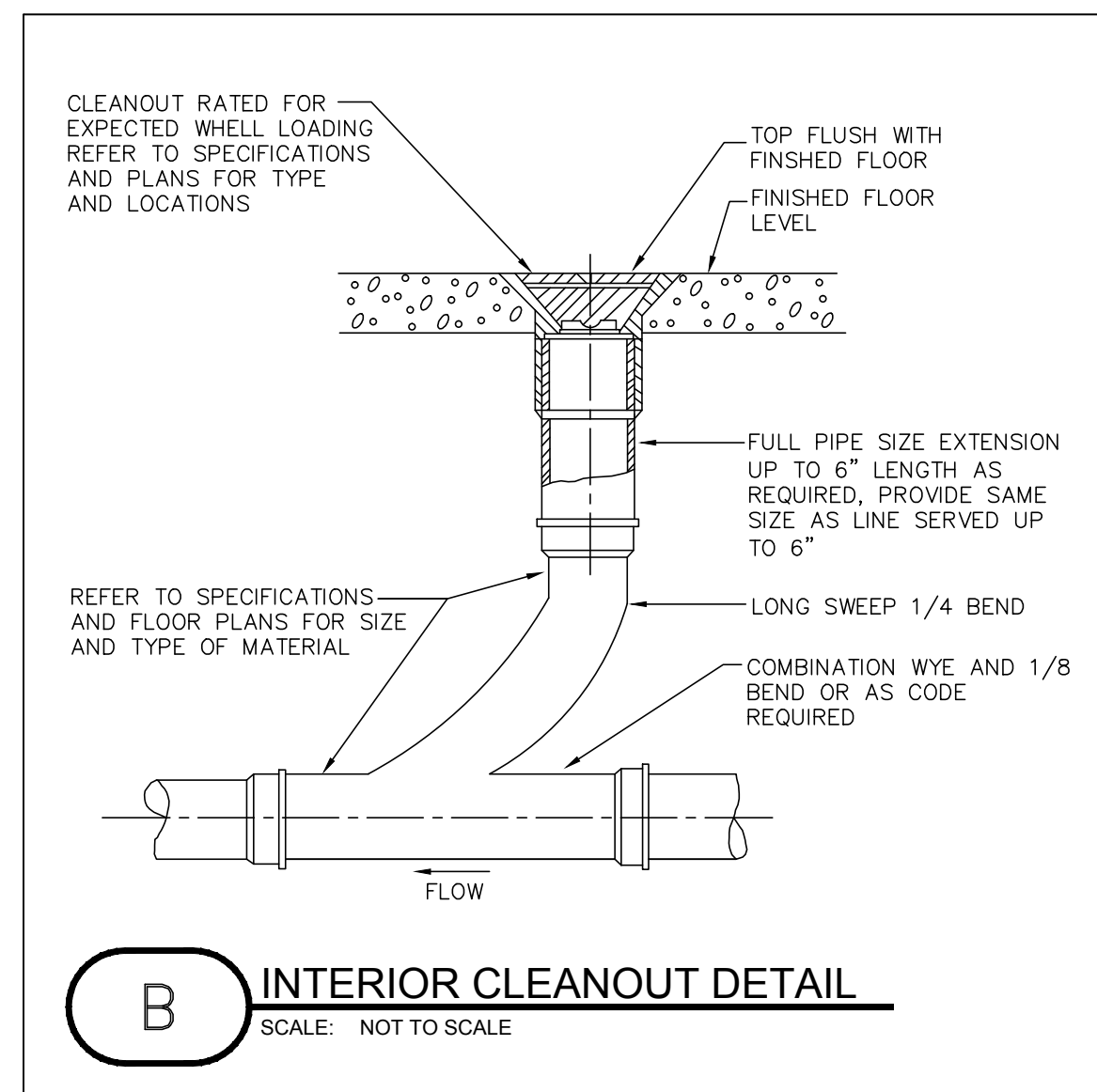
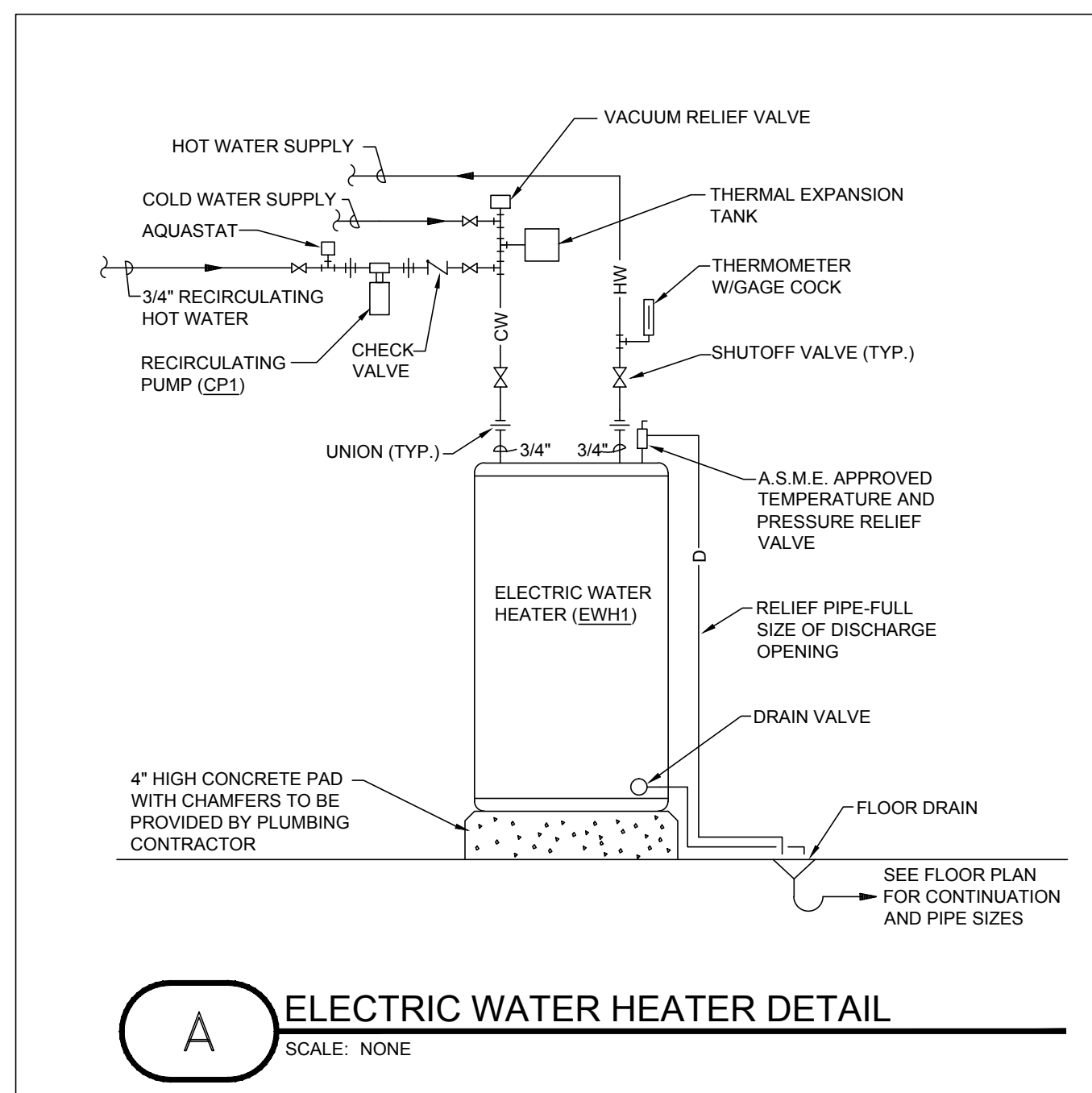


EQUIPMENT SCHEDULE																									
ID	DESCRIPTION	LOCATION	MANUFACTURER	MODEL	ADD_FEATURES	FLUE/INTAKE	GAS_INPUT	FUEL_TYPE	PRESSURE	CAPACITY	VOLTS	PHASE	WATTS	FLOW	EMER_POWER	FLA	MCA	MOCF	DC_FURN	DC_INST	DC_WIRE	MC_TYPE	MC_FURN	MC_INST	MC_WIRE
CP1	HOT WATER RETURN PUMP	MECHANICAL ROOM	BELL & GOSSETT	SERIES PR	WITH TIMER KIT	--	0	--	--	--	120	--	--	20.0 GPM	--	1.9	--	--	EC	EC	EC	MG	PC	PC	EC
EW1	WATER HEATER	MECHANICAL ROOM	A.O. SMITH	DRE-52-9	--	--	0	ELECTRIC	150 PSI	50 GAL	208	1	9000	--	--	43.3	--	--	EC	EC	EC	MG	MFR	--	--
WD1	WASTE DISPOSER	KITCHENETTE	INSINKERATOR	BADGER 5	--	--	0	ELECTRIC	--	--	120	1	--	--	--	9.8	--	--	EC	EC	EC	--	--	--	--

FIXTURE SCHEDULE													
ID	DESCRIPTION	MANUFACTURER	MODEL	WASTE	HW	CW	SUPPLY/TRIM	SUPPLY/STOP	WASTE/TRIM	TRAP/FIX_DRAIN	CARRIER	ADD_FEATURES	
HB	HOSE BIB	WOODFORD	MODEL 24	--	--	1/2"	--	--	--	--	--	--	
LV1	COUNTERTOP LAVATORY	AMERICAN STANDARD	0476.028	1-1/2"	1/2"	1/2"	DELTA, 520-MPU-DST	ANGLE SUPPLIES W/ STOPS	POP-UP DRAIN	1-1/4" P-TRAP	--	PROVIDE 5 GPM AERATOR, MOUNT AT ADA HEIGHT. PROVIDE INSULATION ON PIPING BELOW SINK.	
LV2	WALL HUNG LAVATORY	AMERICAN STANDARD	0355.012	1-1/2"	1/2"	1/2"	DELTA, 520-MPU-DST	ANGLE SUPPLIES W/ STOPS	POP-UP DRAIN	1-1/4" P-TRAP	CONCEALED ARM	PROVIDE 0.5 GPM AERATOR, MOUNT AT ADA HEIGHT.	
MSB1	MOP SERVICE BASIN	FIAT	TSBC1610501	3"	1/2"	1/2"	T&S, MODEL B-0658-BSTP	--	--	--	--	--	
SH1	SHOWER (ADA)	SYMONS	S-96-300-B30-LV	2"	1/2"	1/2"	--	--	--	--	--	REFER TO ARCHITECTURAL DRAWINGS FOR WALL BOARD, GRAB BARS AND SHOWER SEAT	
SK1	COUNTERTOP SINK	ELKAY	LR1918	1-1/2"	1/2"	1/2"	CHICAGO FAUCET, MODEL 1895-E35ABCP	ANGLE SUPPLIES W/ STOPS	--	1-1/4" P-TRAP WITH CLEANOUT	--	WITH 1.5 GPM AERATOR	
SK2	2 BOWL KITCHEN SINK	ELKAY	LR3321	1-1/2"	1/2"	1/2"	AMERICAN STANDARD, MODEL 4175.501.F15 FAUCET	--	--	1-1/4" P-TRAP	--	WITH 1.5 GPM AERATOR	
UR1	URINAL	AMERICAN STANDARD	6590.001	2"	--	3/4"	SLOAN OPTIMA, 8186-9.125	--	--	INTEGRAL	ZURN	0.125 GPF FLUSH VALVE, MOUNT AT ADA HEIGHT	
WC1	FLOOR MOUNTED WATER CLOSET	AMERICAN STANDARD	3043.102	4"	--	1"	SLOAN OPTIMA 8111-1.28	--	--	INTEGRAL	ZURN	1.28 GPF FLUSH VALVE, MOUNT AT ADA HEIGHT	
WH	WALL HYDRANT	WOODFORD	67	--	--	1/2"	--	--	--	--	--	--	

PLUMBING ELECTRICAL COORDINATION SCHEDULE (PECS)																	
ABBREVIATIONS				CONTRACTOR TYPE				DISCONNECT TYPE				MOTOR CONTROL TYPE					
DC	LOCAL DISCONNECT	EC	ELECTRICAL CONTRACTOR	CP	CORD AND PLUG CONNECTION	CS	COMBINATION STARTER	MC	MOTOR CONTROL (POWER)	EX	EXISTING	FD	FUSED DISCONNECT	MCC	MOTOR CONTROL CENTER		
WIRE	WIRING FROM DEVICE TO EOPT.	FC	FIRE PROTECTION CONTRACTOR	SS	SAFETY SWITCH	MG	MAGNETIC STARTER OR CONTACT	FLA	OPERATING FULL LOAD AMPS	GC	GENERAL CONTRACTOR	MS	MANUAL STARTER	VFD	VARIABLE FREQUENCY DRIVE		
OCP	OVERCURRENT PROTECTION	HC	HEATING CONTRACTOR	TS	TOGGLE SWITCH	MSR	MANUAL STARTER WITH RELAY	WD1	WASTE DISPOSER	TC	TEMPERATURE CONTROLS CONTRACTOR	OV	THERMAL OVERLOADS				
CP	CORD AND PLUG CONNECTION	MFR	MANUFACTURER							PC	PLUMBING CONTRACTOR						
		OR	OWNER OR OTHERS														
MARK	DESCRIPTION	LOCATION	VOLTS	PHASE	EMERG	HP	WATTS	FLA	MCA	MOCF	DC FURN	DC INST	DC WIRE	MC TYPE	MC FURN	MC INST	MC WIRE
CP1	HOT WATER RETURN PUMP	MECHANICAL ROOM	120	--	--	1/8	--	1.9	--	--	EC	EC	EC	MG	PC	PC	EC
EW1	WATER HEATER	MECHANICAL ROOM	208	1	--	--	9000	43.3	--	--	EC	EC	EC	MG	MFR	--	--
WD1	WASTE DISPOSER	KITCHENETTE	120	1	--	1/2	--	6.3	--	--	EC	EC	EC	--	--	--	--
<b>NOTES</b>																	
• N/A																	

DRAIN SCHEDULE						
ID	DESCRIPTION	MANUFACTURER	MODEL	TRAP_PRIMER	TOP_FINISH	ADD_FEATURES
FD1	FLOOR DRAIN IN RESTROOMS	JAY R. SMITH	2005Y-A-P050	--	NICKEL BRONZE	--
FD2	FLOOR DRAIN IN MECHANICAL ROOM	JAY R. SMITH	2131Y-P050	--	NICKEL BRONZE	--



PRELIMINARY - NOT FOR CONSTRUCTION

Revisions:  
Issue Date: October 2, 2014  
**University of Kentucky**  
Renovate Old Softball/Soccer Locker Room  
College Way at Softball/Soccer Complex  
Lexington, KY 40506

**PLUMBING SCHEDULES AND DETAILS**  
Architect Project No. 13106  
Consultant Project No. 15935  
Owner Project No. 2401.0  
**PL-200**  
15935.00PL200.dwg